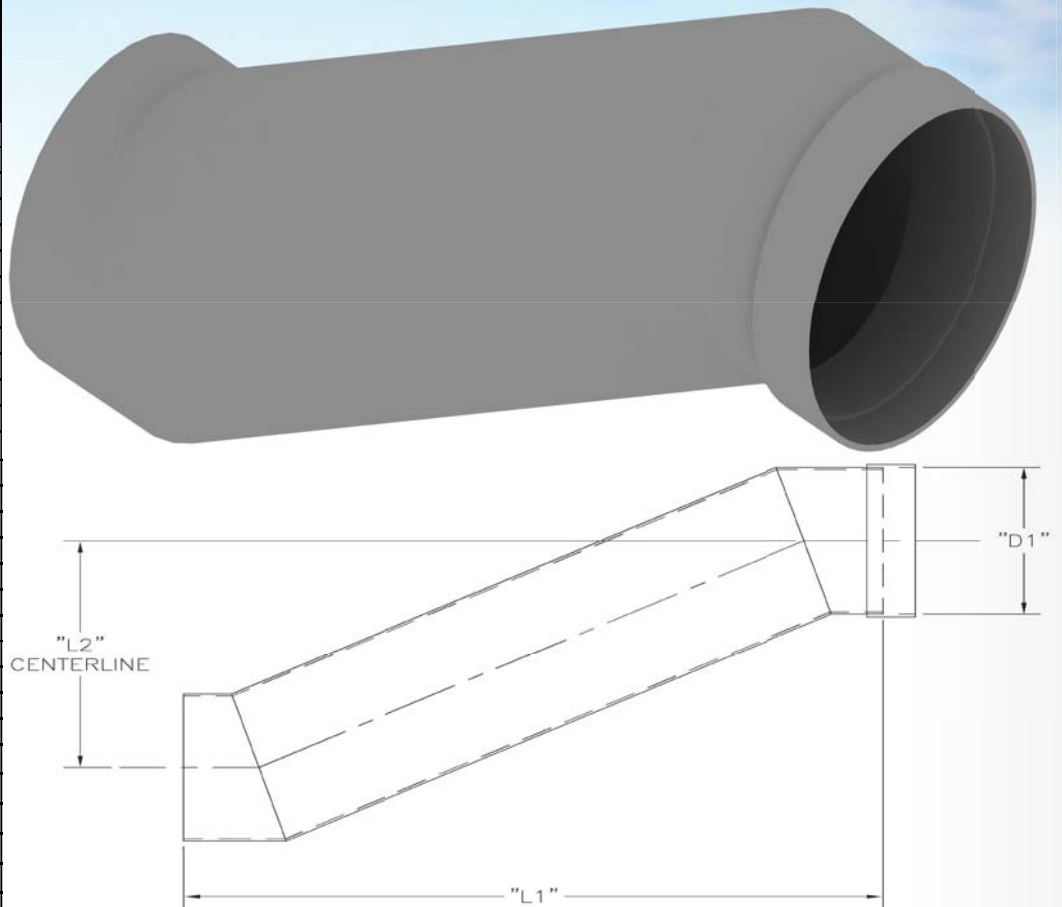




DUCT DIAMETER	WALL THICKNESS	
	EXTRUDED	ROLLED
"D1"		
4	0.250"	
6	0.188"	
8	0.188"	
10	0.188"	
12	0.188"	0.125"
14	0.188"	0.125"
16	0.188"	0.125"
18	0.188"	0.125"
20		0.125"
22		0.125"
24		0.125"
26		0.125"
28		0.188"
30		0.188"
32		0.188"
34		0.188"
36		0.188"
38		0.188"
40		0.188"
42		0.188"
44		0.188"
46		0.188"
48		0.188"
50		0.188"
52		0.188"
54		0.188"
56		0.188"
58		0.250"
60		0.250"
62		0.250"
64		0.250"
66		0.250"
68		0.250"
70		0.250"
72		0.250"
74		0.250"
76		0.250"
78		0.250"
80		0.250"



AVAILABLE MATERIALS OF CONSTRUCTION: TYPE II PVC, POLYPROPYLENE, CPVC, DUAL LAMINATE, FRP, AND PVDF

NOTES:

- 1. STANDARD COLLAR CONNECTIONS SHOWN / FLANGED CONNECTIONS ARE AVAILABLE UPON REQUEST**
- 2. CUSTOM DIAMETERS AND LENGTHS ARE AVAILABLE UPON REQUEST**
- 3. FIRESIST™ FM APPROVED DUCT AVAILABLE UPON REQUEST**

