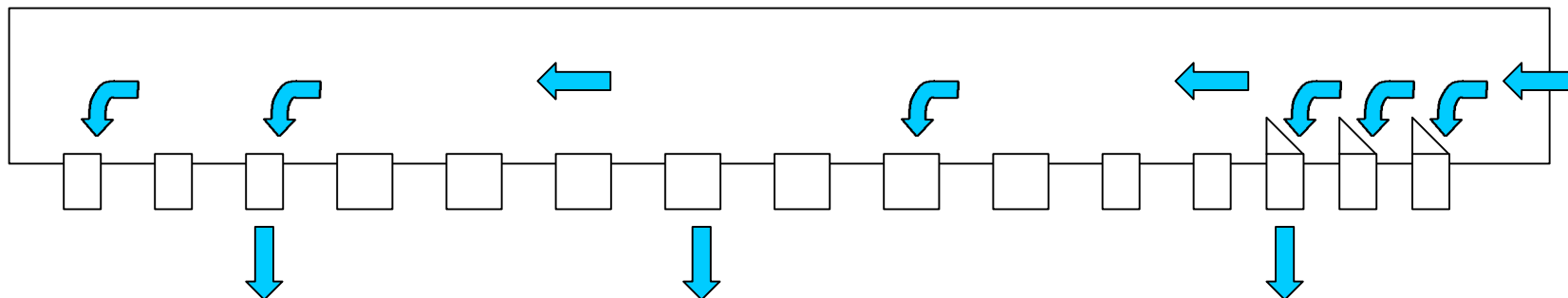
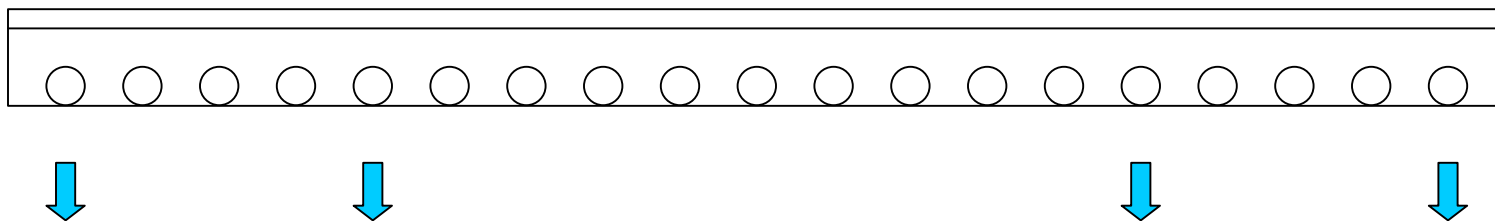


EXPANDED VIEW OF OVERFLOW WEIR DISTRIBUTION

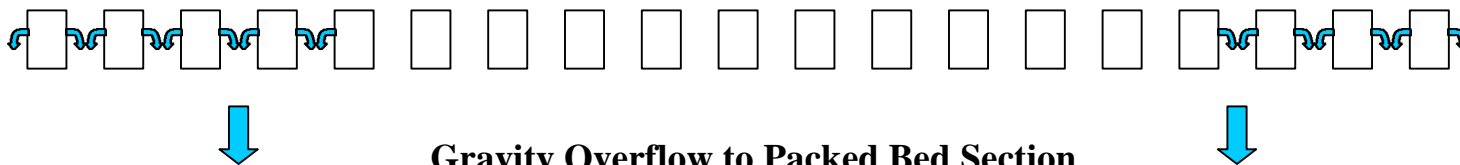
Inlet Header Distribution Pipe



Distribution Box



Weir Boxes



Gravity Overflow to Packed Bed Section